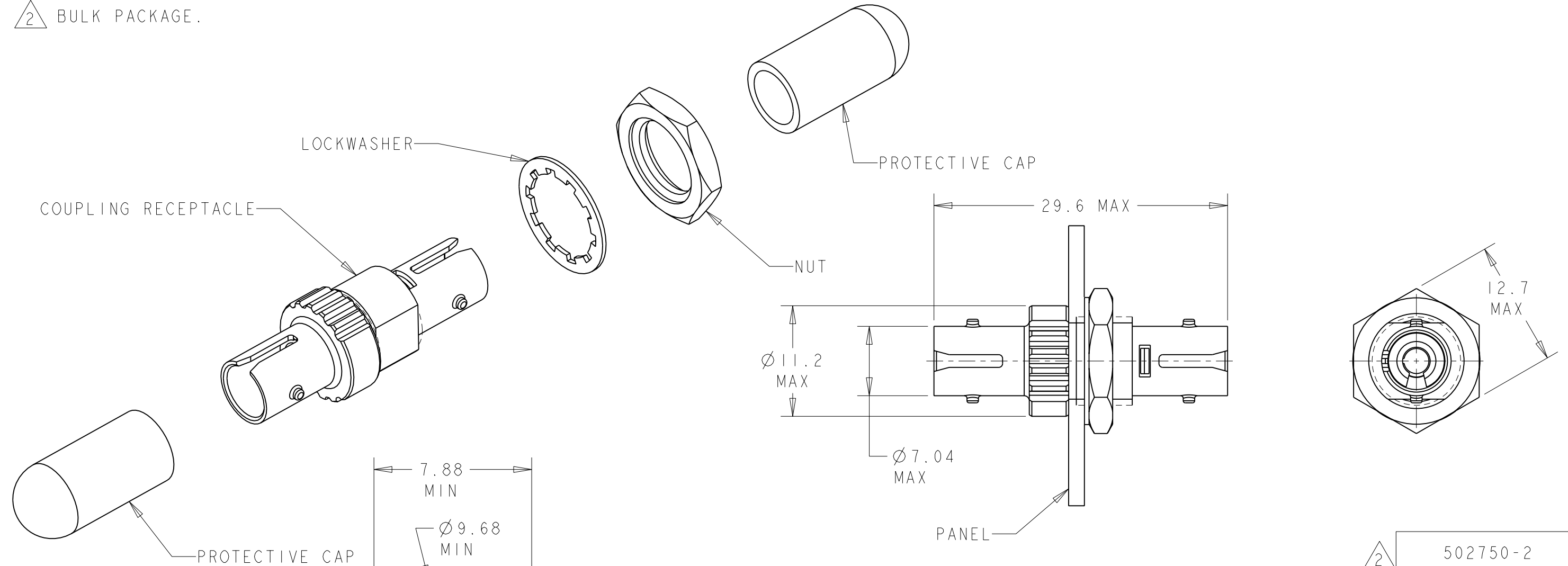


THIS DRAWING IS UNPUBLISHED. RELEASED FOR PUBLICATION 20  
 © COPYRIGHT 20 BY TYCO ELECTRONICS CORPORATION. ALL RIGHTS RESERVED.

LOC	DIST	REVISIONS			
P	LTR	DESCRIPTION	DATE	DWN	APVD
CE	00				
		C REVISE PER ECR-05-013728	27OCT2005	BB	SB

1 MATERIAL:  
 PROTECTIVE CAP: VINYL  
 LOCKWASHER: STAINLESS STEEL  
 NUT: NICKEL PLATED BRASS  
 COUPLING RECEPTACLE:  
 HOUSING: ZINC  
 RETAINER: PBT, COLOR: WHITE, UL94 V-0 RATED AT QUALIFYING THICKNESS  
 SLEEVE: CERAMIC

2 BULK PACKAGE.



2	502750-2
	502750-1
	PART NUMBER

<small>THIS DRAWING IS A CONTROLLED DOCUMENT FOR TYCO ELECTRONICS CORPORATION          IT IS SUBJECT TO CHANGE AND THE CONTROLLING ENGINEERING ORGANIZATION          SHOULD BE CONTACTED FOR THE LATEST REVISION.</small>		DWN B. BRIGGS 27OCT2005 CHK S. BUCHTER 27OCT2005 APVD S. BUCHTER 27OCT2005		<b>tyco</b> Tyco Electronics <b>Electronics</b> Harrisburg, PA 17105-3608	
DIMENSIONS: mm		TOLERANCES UNLESS OTHERWISE SPECIFIED: 0 PLC ±- 1 PLC ±- 2 PLC ±- 3 PLC ±- 4 PLC ±- ANGLES ±-		NAME COUPLING RECEPTACLE KIT, 2.5mm BAYONET, SINGLEMODE, OPTIMATE	
MATERIAL - 1		FINISH -		SIZE A3 CAGE CODE 00779 DRAWING NO C-502750 RESTRICTED TO -	
CUSTOMER DRAWING				SCALE 5:2 SHEET 1 OF 1 REV C	